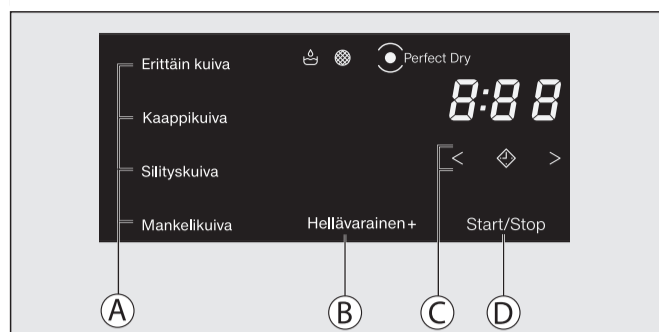
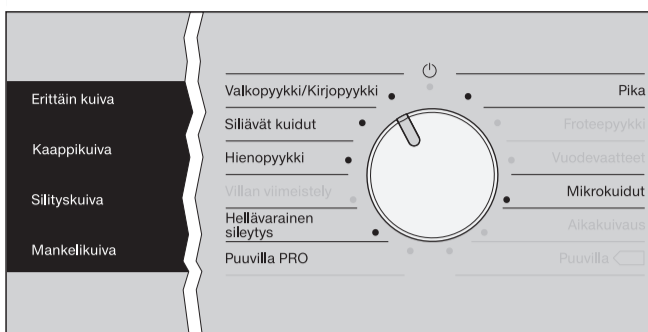


## Kosketusnäytön toimintaperiaate



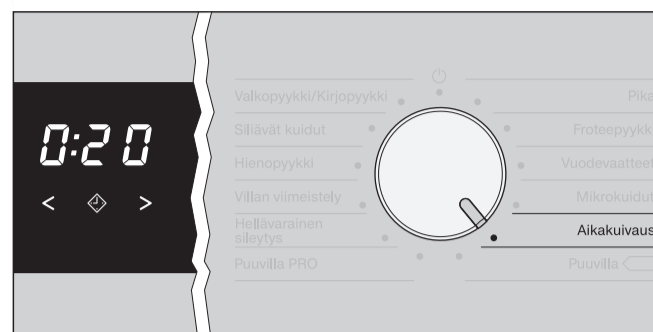
Hipaisupainikkeet (A)–(D) reagoivat sormen kosketukseen. Voit valita vain kulloinkin valaistuja hipaisupainikkeita. Hipaisupainike = Ajustusaika (valitse aika painikkeilla < >).

## Ohjelman valinta – Kuivuusaste



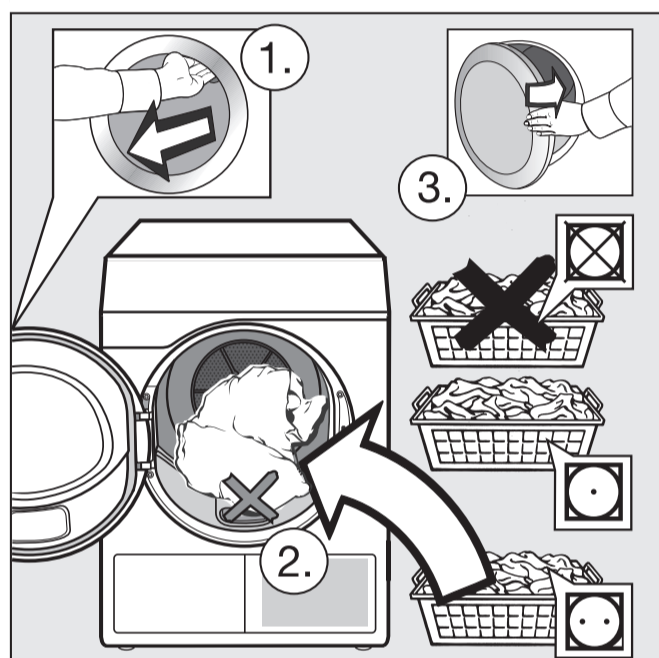
- Kosketa kuivuusasteen hipaisupainiketta.
- kirkkaana palava hipaisupainike tarkoittaa: on valittuna
- himmeänä palava hipaisupainike tarkoittaa: on valittavissa

## Ohjelman valinta – Aikakuivaus



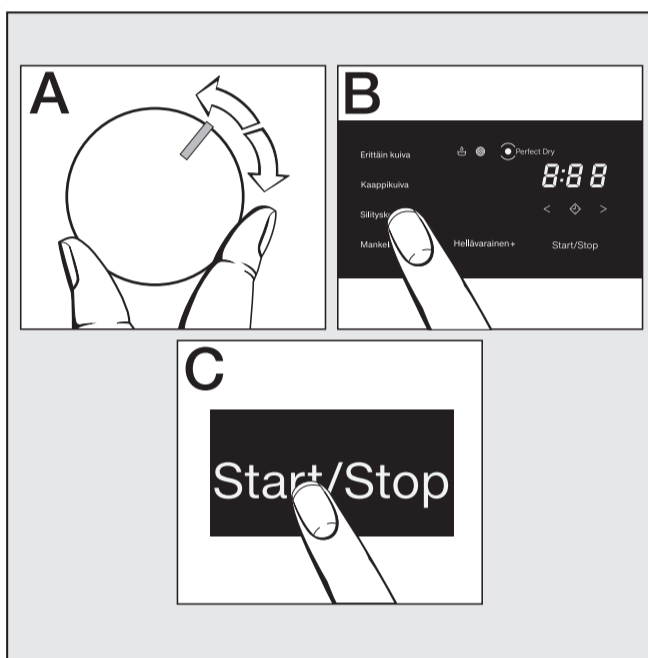
- Kosketa hipaisupainiketta < tai >, kunnes haluamasi aika näkyy näytössä.
- Ajaksi on valittavissa 0:20 minuuttia – 2:00 tuntia.

## 1 Pyykin lajittelu ja laittaminen koneeseen



- = rumpukuivaus kielletty
- = normaali/korkeampi lämpötila
- = valitse lisätoiminto *Hellävarainen+*
- Laita pyykki koneeseen

## 2 Ohjelman valinta ja käynnistys



- Valitse ohjelma
- Valitse kuivuusaste tai aika
- Kosketa painiketta *Start/Stop*

## 3 Pyykin ottaminen pois koneesta



- Ohjelma päättynyt: 0:00 näkyy näytössä**
- Avaa luukku
- Ota pyykki pois koneesta

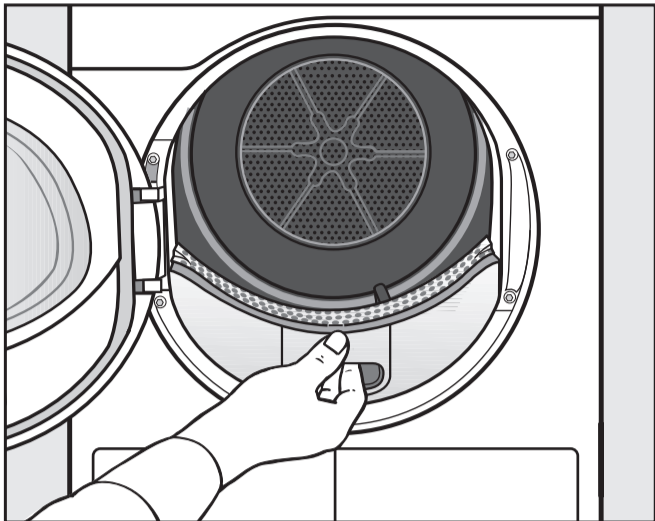
Ohjelmat	kg	Tekstiilit	+
<b>Valko-/Kirjopyykki</b> <b>Erittäin kuiva, Kaappikuiva, Silityskuiva, Mankelikuiva</b>	7	Takit, työvaatteet, työtakit, esiliinat, vauvanvaatteet, t-paidat, alusvaatteet, täkit, frotee- ja pellavapyyhkeet, froteekylpypyyhkeet ja -kylpytakit, flanelli-/froteeliinavaatteet, kuumuutta kestävät pöytäliinat – Säilytä mankeloitava pyykki rullattuna, jotta se pysyisi kosteana mankelointiin saakka.	✓
<b>Siliävät kuidut</b> <b>Kaappikuiva, Silityskuiva</b>	4	Työvaatteet, paitapuserot, neulepuserot, leningit, housut, pöytäliinat, sukat	✓
<b>Hienopyykki</b> <b>Kaappikuiva, Silityskuiva</b>	4	– Arat tekstiilit, jotka on valmistettu synteettisistä kuiduista, puuvillasta tai sekoitekuiduista – Hienot neuleet, hameet, housut, paitapuserot, pöytäliinat, paidat, puserot, applikoidut tekstiilit	●
<b>Villan viimeistely</b>	2	Villapaidat, villatakkit, villasukat	–
<b>Hellävarainen sileyty</b> <b>Kaappikuiva, Silityskuiva</b>	1	Puuvilla- tai pellavatekstiilit	●
<b>Puuvilla PRO</b>	7	Normaalikostea puuvillapyykki, kuten ohjelmassa <i>Valko-/kirjopyykki</i>	–
<b>Pika</b> <b>Erittäin kuiva, Kaappikuiva, Silityskuiva, Mankelikuiva</b>	4	Kuumuutta kestävät tekstiilit, kuten ohjelmassa <i>Valko-/kirjopyykki</i>	–
<b>Froteepyykki</b>	7	Pelkästään froteetekstiilejä: Pyyheliinat, kylpypyyhkeet/-takit, pesulaput, liinavaatteet	–
<b>Liinavaatteet</b>	4	Liinavaatteet, lakanat, tynnyliinat	–
<b>Mikrokuidut</b> <b>Erittäin kuiva, Kaappikuiva</b>	7	Mikrokuituiset mopit ja siivouspyyhkeet	–
<b>Aikakuivaus</b>	7	Takit, tynnyt, makuupussit, monikerroksiset tekstiilit, raskaat puuvillapöytäliinat, yksittäiset vaatekappaleet	✓
<b>Puuvilla Eco</b>	7	Normaalikostea puuvillapyykki, kuten ohjelmassa <i>Valko-/kirjopyykki</i>	–

(kg) kuivan pyykin paino enintään, kg

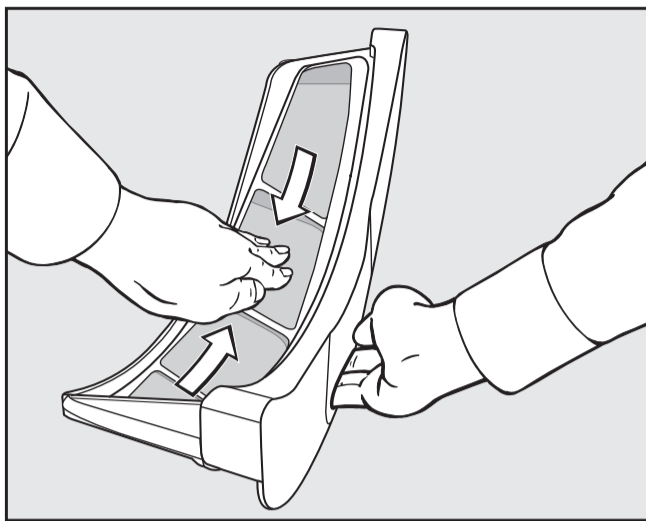
(+)*Hellävarainen+*: ✓ valittavissa / ● aina käytössä / – ei valittavissa

**Puhdista: kuivauksen jälkeen – ja kun merkkivalo  syttyy\***

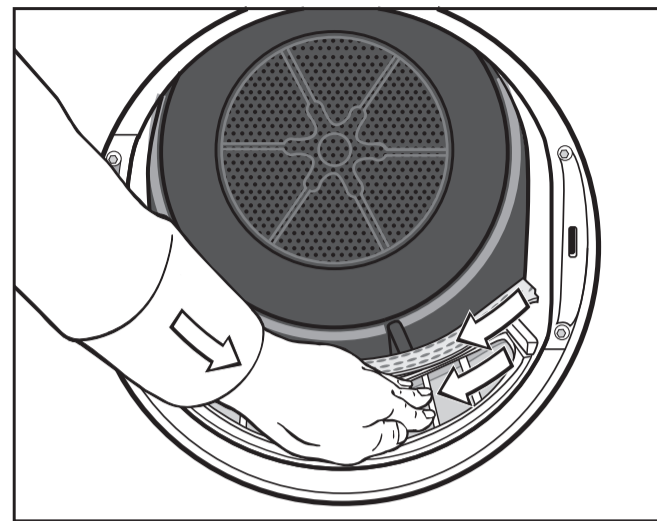
**Neuvo: ota pölynimuri valmiiksi esiin**



- Vedä nukkasiehti ulos

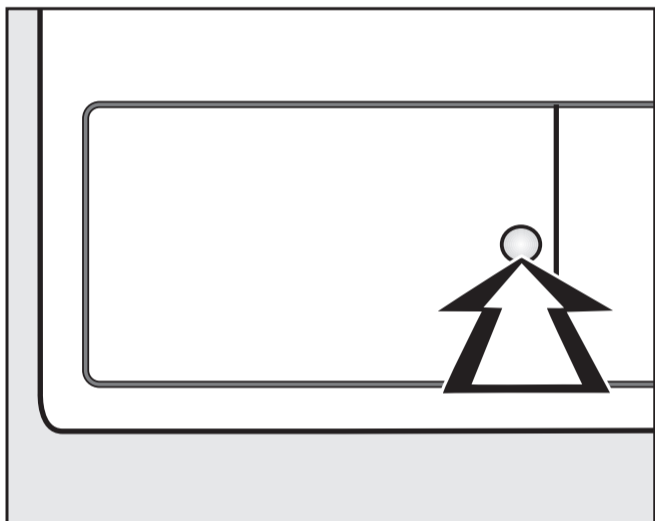


- Pyyhi tai imuroi nukka pois
- Kun nukkaa on paljon: ks. käyttöohje

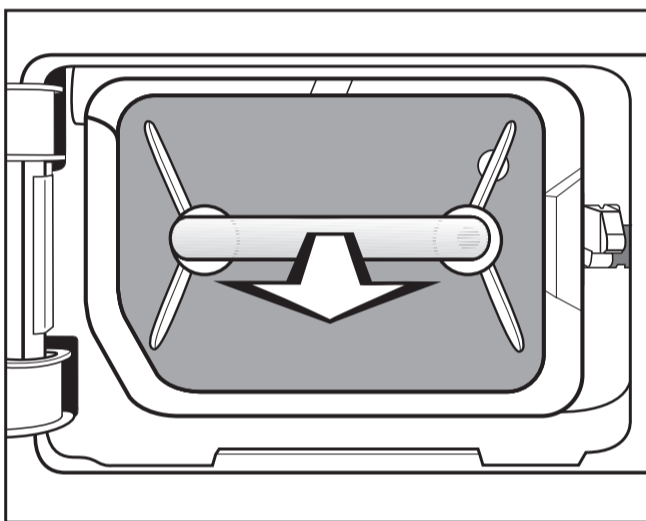


- Pyyhi tai imuroi nukka pois
- Kun nukkaa on paljon: ks. käyttöohje

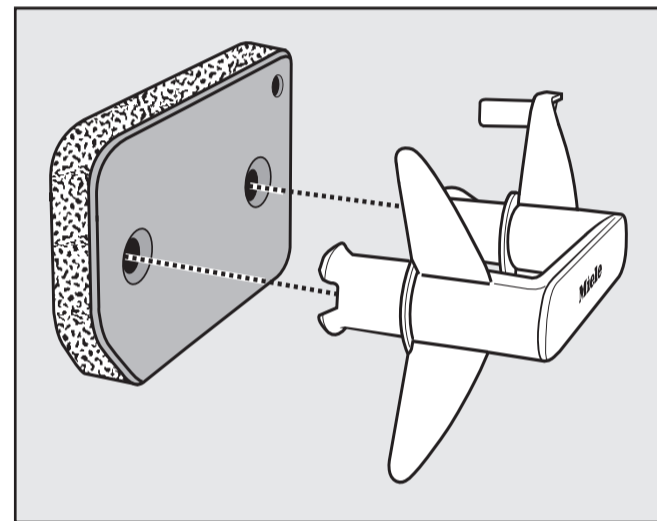
**Puhdista: jatkuvassa käytössä 1 x päivässä – ja kun merkkivalo  syttyy\***



- Avaa nukkasiehdin luukku



- Vedä jalustan hienosuodatin ulos



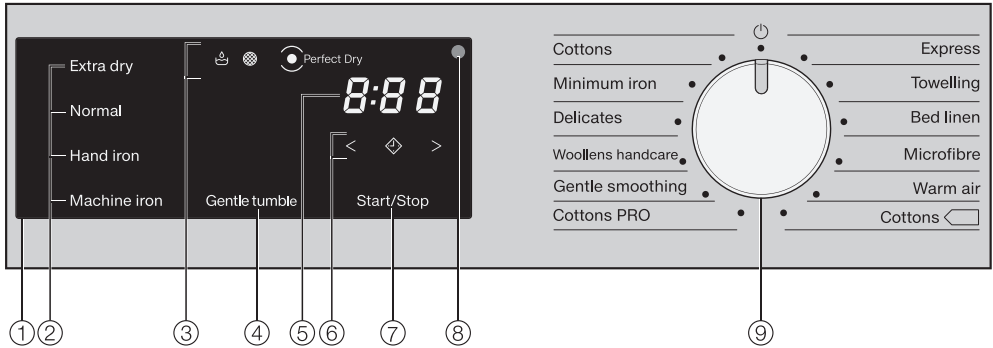
- Vedä kahva irti jalustan hienosuodattimesta
- Tarkasta jalustan hienosuodatin säännöllisesti kulumien varalta
- Huuhtelee jalustan hienosuodatin, purista siitä vesi pois
- Aseta kahva paikalleen
- Aseta hienosuodatin paikalleen






\* **Merkkivalon  sammutus:**

- Avaa ja sulje kuivausrummun luukku virran ollessa päällä.

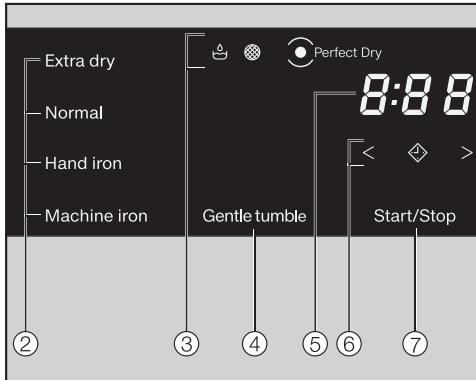
# Operating the tumble dryer

## Control panel



- ① **Control field**
- ② **Sensor controls for the drying levels**
- ③ **Indicator lights**     
light up when necessary
- ④ **Gentle tumble sensor control**  
for gentle drying
- ⑤ **Time display**  
for the programme duration
- ⑥ **Sensor controls** <  >  
for time selection
- ⑦ **Start/Stop sensor control**  
Starts the selected programme and  
cancels a programme once it has  
started.
- ⑧ **Optical interface**  
This is used by the Service depart-  
ment as a transmission point.
- ⑨ **Programme selector**  
for selecting programmes and for  
switching off. The tumble dryer is  
switched on by selecting a pro-  
gramme, and switched off by turning  
the programme selector to the  po-  
sition.

## How the control field works



The ②, ④, ⑥ and ⑦ sensor controls react to fingertip contact. If a sensor control is illuminated, it can be selected.




If a sensor control is brightly lit, this means it is currently selected

If a sensor control is dimly lit, this means it can be selected


### ② Sensor controls for the drying levels

After selecting a drying level programme with the programme selector, the recommended drying level lights up. Drying levels that can be selected are dimly lit.

### ③ Indicator lights

-  lights up if condensate drainage via the drain hose is hindered.
-  lights up when the plinth filter has to be cleaned.
-  *Perfect Dry*  
With programmes with a selectable drying level, the Perfect Dry system calculates the residual moisture present in the laundry to ensure precise drying results.  
This indicator . . .  
. . . will flash until the programme duration has been determined, and then go out.  
. . . lights up again when the selected drying level is reached towards the end of the programme.  
. . . remains off with the following programmes: *Woolens handcare*, *Warm air*.

### ④ Gentle tumble sensor control

For drying temperature-sensitive textiles with the  symbol. When the sensor control is touched, *Gentle tumble* will light up brightly.

With some programmes, *Gentle tumble* is always active (lights up) or inactive (does not light up).

# Operating the tumble dryer

---



## ⑤ Time display

The remaining programme duration is displayed in hours and minutes.

With most programmes, the duration displayed may vary or “jump”. The following factors, among others, affect the programme duration displayed: the quantity of laundry, the type of fabric and the residual moisture in the laundry. The electronic module adapts to these parameters and then adjusts the programme duration with increasing accuracy.

## ⑥ Sensor controls < >

– 

After touching the  sensor control, a later start time for the programme (Delay start) can be selected. Once selected,  lights up brightly.

– < >

The < or > sensor controls are used for selecting the duration of the Delay start period or the duration of the *Warm air* programme.

## ⑦ Start/Stop sensor control

Touching the *Start/Stop* sensor control starts a programme or cancels a programme that has already been started. The programme can be started when the sensor control is flashing on and off. The sensor control lights up constantly once the programme has started.

## Drum lighting

The inside of the drum lights up so that you don't forget any items of laundry when you empty it.

The drum lighting will go out automatically to save energy.

## 2. Load the tumble dryer

### Loading the laundry

Preventing textile damage.  
Before loading, read chapter “1. Notes on correct laundry care.”



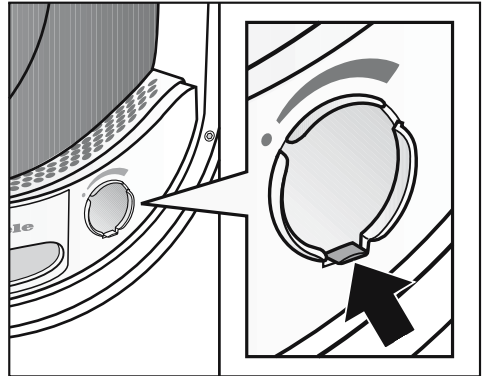
- Open the door.
- Load the laundry.

Preventing textile damage.  
When closing the door, make sure that laundry does not get trapped in the door opening.

Do not overload the drum. Overloading can cause unnecessary wear and tear to the laundry and cause a disappointing drying result. It can also cause more creasing.

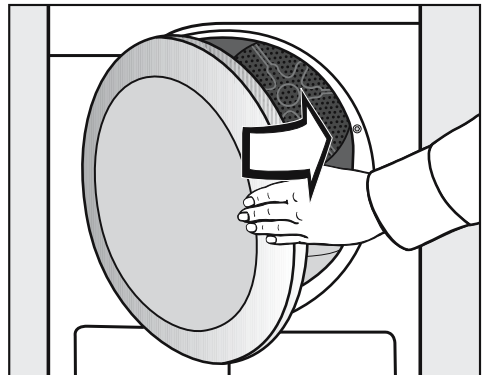
### Socket for the fragrance flacon

The “Fragrance flacon” chapter describes how to use the fragrance flacon.



If you are not using a fragrance flacon: push the tab down completely (see arrow) so that the socket is closed. Otherwise, fluff will accumulate here.


### Closing the door

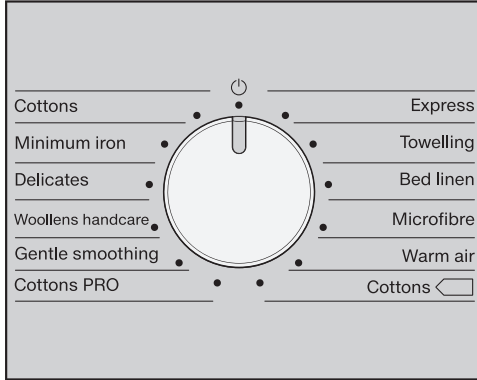


- Shut the door with a gentle swing.

### 3. Selecting a programme

#### Selecting a programme

The tumble dryer is switched on by selecting a programme, and switched off by turning the programme selector to the  position.



- Turn the programme selector.

A drying level may also light up and durations will appear in the time display.

#### Drying level for programmes with a selectable drying level

Cottons, Minimum iron, Delicates, Gentle smoothing, Express, Microfibre

The pre-set drying level can be changed if required.

Extra dry

Normal

Hand iron

Machine iron

- Touch the sensor control for the drying level you want. It then lights up brightly.

Any drying level can be selected for the *Cottons* and *Express* programmes. A more limited range is available when using the other programmes.

### 3. Selecting a programme

#### Time-controlled and other programmes

##### Warm air

You can set the duration in ten-minute increments from 0:20 minutes to 2:00 hours.



- Touch the < or > sensor control repeatedly until the required programme duration appears in the time display.

Cottons <□>, Cottons PRO, Towelling, Bed linen, Woollens handcare

The drying result is preset by the tumble dryer and cannot be altered.

#### Selecting Gentle tumble

Delicate fabric (with the ☐ symbol on the care label, e.g. acrylic garments) is dried at a lower temperature. The programme duration is also longer.

- Touch the *Gentle tumble* sensor control. It then lights up brightly.
- *Gentle tumble* can be selected with the following programmes:
  - *Cottons*
  - *Minimum iron*
  - *Warm air*
- *Gentle tumble* is always activated/ cannot be deselected with *Delicates* and *Gentle smoothing*.

### 3. Selecting a programme



---

#### Selecting the Delay start function

With Delay start, you can delay the start of a programme from 0:30 minutes up to 24h hours.

**However:** Delay start cannot be used with the *Warm air* programme.



- Touch the  sensor control.
-  lights up brightly.
- Touch the > or < sensor control repeatedly until the required Delay start time appears in the time display.


**Tip:** The time will count upwards or downwards automatically if you touch the > or < sensor controls continuously.

#### Changing the Delay start time

- Touch the *Start/Stop* sensor control.
- Touch the > or < sensor control repeatedly until the required Delay start time appears in the time display.
- Touch the *Start/Stop* sensor control.

The Delay start function continues to count down.

#### Cancelling/deleting Delay start

- Turn the programme selector to the  position.

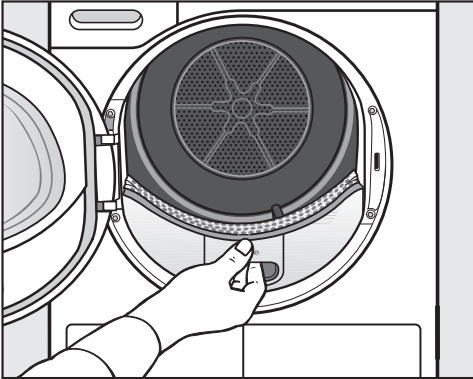
#### Delay start countdown

- Delay start times of more than 10h will count down in hours and then in minutes until the start of the programme.
- The drum will turn briefly every hour until the start of the programme to reduce laundry creasing.

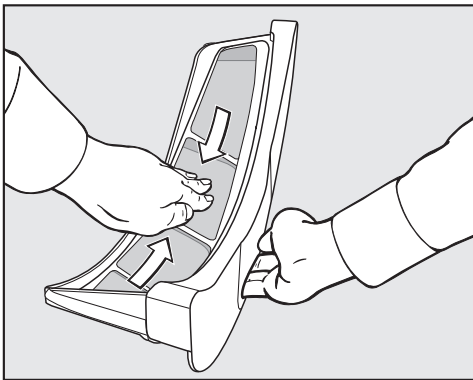
## Removing visible fluff

**Tip:** You can also use a vacuum cleaner so that you can remove the fluff without touching it.

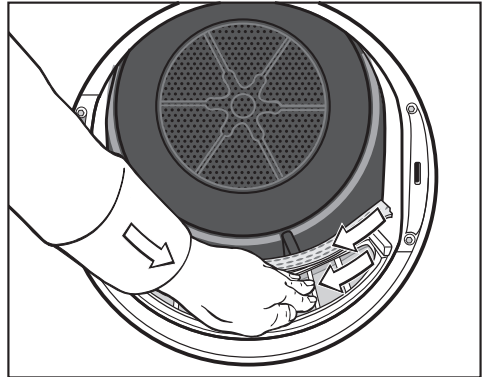
- Open the door.



- Pull the upper fluff filter forwards to remove it.



- Remove the fluff (see arrows).



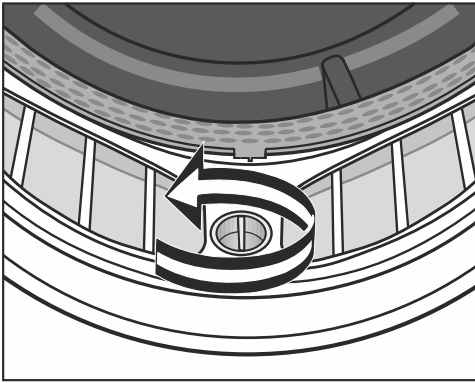
- Remove the fluff (see arrows) from the surface of all the fluff filters and the perforated laundry deflector.
- Push the upper fluff filter back into position until it clicks.
- Close the door.

# Cleaning and care

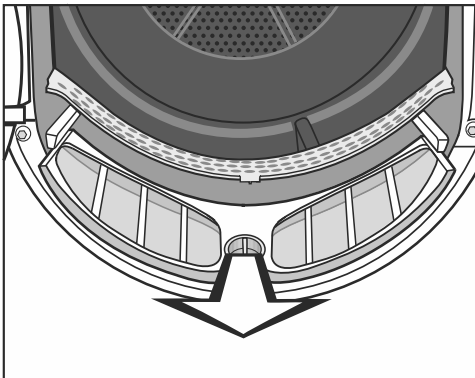
## Cleaning the fluff filters and air flow openings thoroughly

If the drying duration has become longer or the surface of the fluff filters is visibly compacted with fluff, you should carry out the following cleaning procedure.

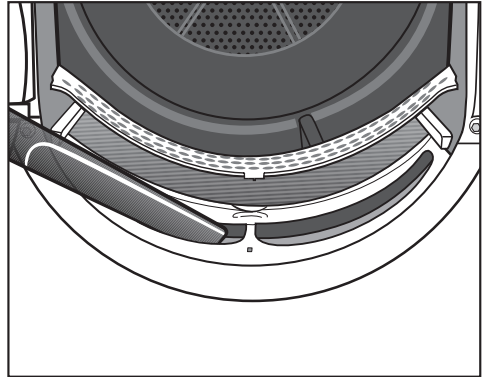
- Remove the fragrance flacon. See “Fragrance flacon”.
- Pull the upper fluff filter forwards to remove it.



- Turn the yellow rotary control on the lower fluff filter in the direction of the arrow (until it reaches the stop position).



- Hold the rotary control and pull the fluff filter forwards to remove it.



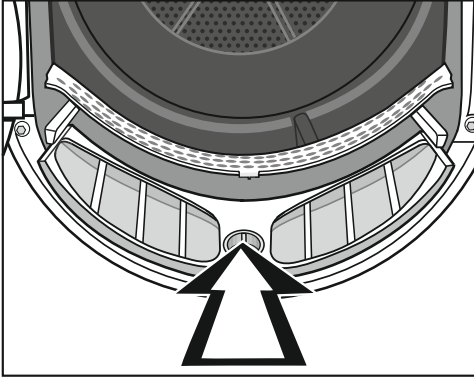
- Use a vacuum cleaner with a long crevice nozzle attached to remove any visible fluff from the upper air flow openings.

Finally, clean the fluff filters with water.

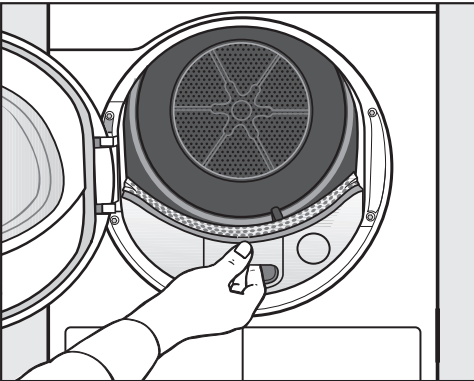
### Cleaning the fluff filters with water

- Rinse the filter surfaces through under warm running water.
- Wipe the smooth plastic surfaces of both fluff filters with a damp cloth to clean them.

Wet filters could cause operational faults while drying. Shake the fluff filters thoroughly and then dry them carefully.




- Push the lower fluff filter in completely and lock it with the yellow dial.



- Push the upper fluff filter all the way in.
- Close the door.

# Cleaning and care


## Cleaning the plinth filter

Clean the plinth filter whenever the  indicator light comes on or when the programme duration is longer than usual.


To turn the  indicator light off:

- Open and close the door while the tumble dryer is switched on.

### Tip:

With normal use of the tumble dryer, clean the plinth filter when the  indicator light comes on.

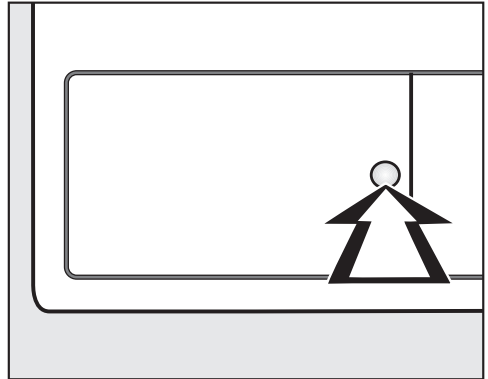
With continuous use of the tumble dryer, clean the plinth filter once a day.

 **Damage caused by insufficient cleaning or by operation with a worn, damaged filter in the plinth.**

There is insufficient flow of air and heat in the heat exchanger due to clogging. This requires a visit from the Service department.

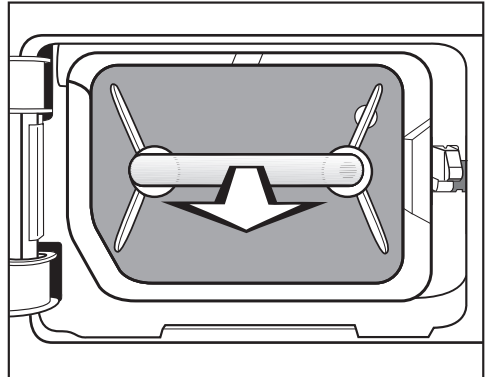
This can be avoided by following the advice in these operating instructions.

## Removing the plinth filter



- Press the round, indented area on the heat exchanger access panel to open it.

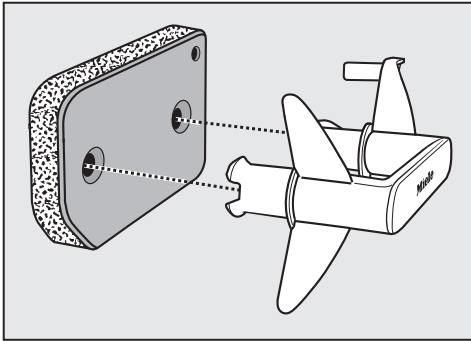
The panel will spring open.



- Pull the plinth filter out by the handle.

This causes the right-hand guide pin in the tumble dryer to come out. This guide pin ensures that the heat exchanger access panel can only be closed if the plinth filter is inserted the right way round.

## Cleaning the plinth filter



- Clean the plinth filter thoroughly under running water.
- Squeeze the plinth filter very carefully several times as you rinse it.
- Rinse the plinth filter until all visible residues have been removed.

This can cause a fault.

The plinth filter must not be replaced dripping wet.

**⚠** Damage caused by an insufficiently cleaned or damaged plinth filter.

If the plinth filter has not been properly cleaned or is damaged, the heat exchanger will be clogged. There will be an insufficient flow of air and heat in the heat exchanger. This will require a visit from the Service department.

Before and after cleaning, check the plinth filter in accordance with the description in “Replacing the plinth filter”. The plinth filter must be perfectly functional and undamaged after cleaning.

- Use a damp cloth to remove any fluff from the handle.

## Replacing the plinth filter

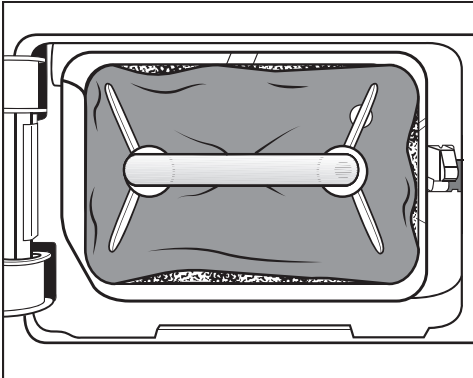
**⚠** Filter wear caused by continuous tumble dryer use.

If the tumble dryer is in continuous use and is being cleaned regularly, the plinth filter can begin to show signs of wear after a while. This can clog up the heat exchanger.

Replace the filter immediately if you see the following signs of wear before or after cleaning (optional accessory).

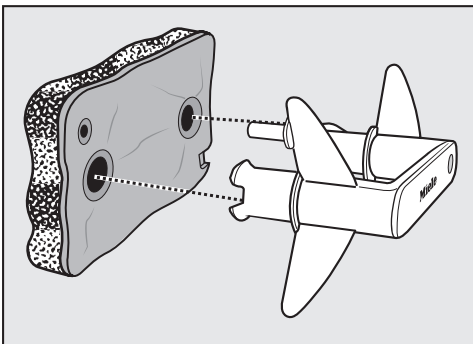
# Cleaning and care

## Poor fit



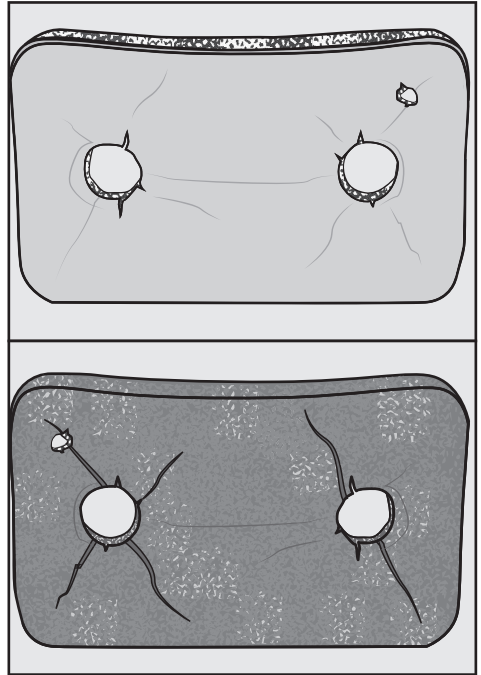
The edges of the filter do not sit properly and the filter is deformed. Fluff will blow into the heat exchanger unfiltered through edges that do not sit properly. This will cause a permanent obstruction in the heat exchanger.

## Deformation



Deformations indicate that the filter has become blocked and worn by continuous use.

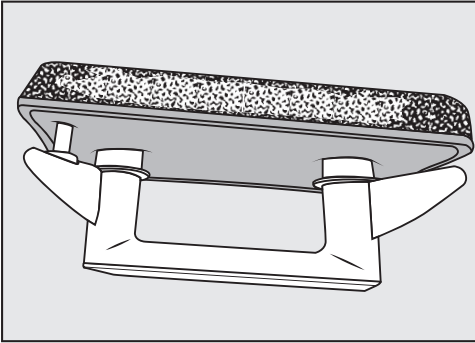
## Cracks, tears, indentations



Fluff will blow into the heat exchanger unfiltered through cracks and tears and will cause obstruction.

Indentations indicate that the filter has become blocked and worn by continuous use.

### White residues or residues of other colours

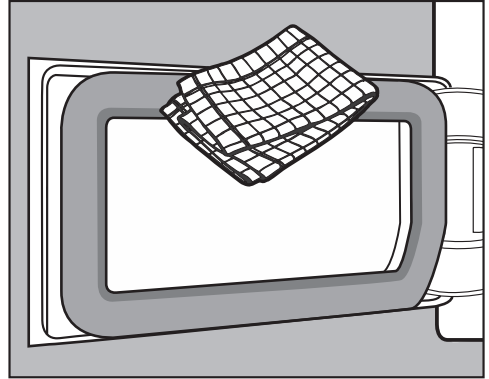


Residues arise from laundry fibres and traces of detergent components which can clog the filter. They can be found on the front and side edges of the filter. In extreme cases, they can form stubborn crust.

Residues are a sign that the filter is no longer a snug fit at the sides, even if it appears to be perfect: fluff is getting in unfiltered at the edges.

If these residues appear on the filters again soon after cleaning, the filter must be replaced.

### Cleaning the plinth filter flap



- Use a damp cleaning cloth to remove any fluff. Make sure you do not damage the rubber seal.
- Check whether the cooling fins are blocked with fluff (as follows).